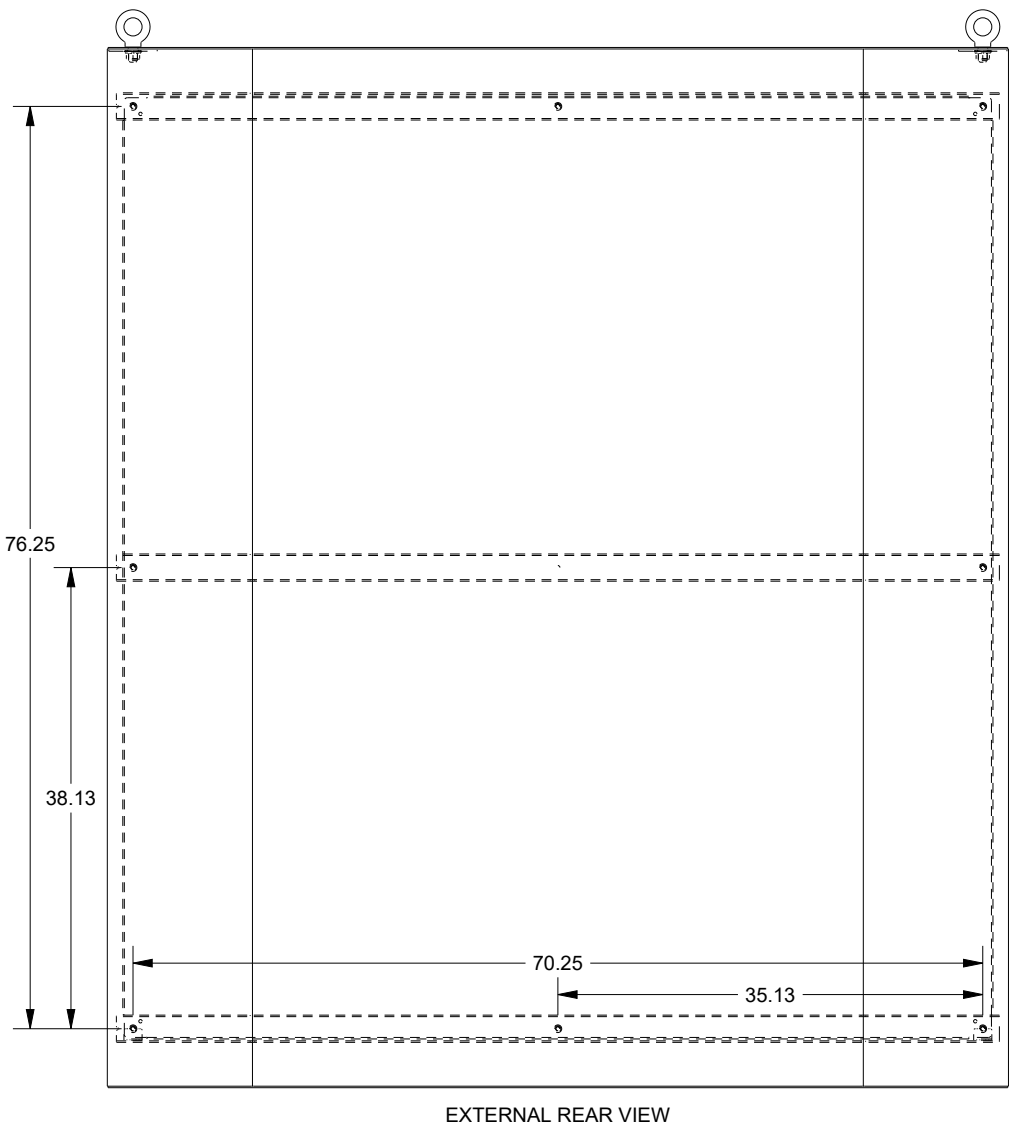
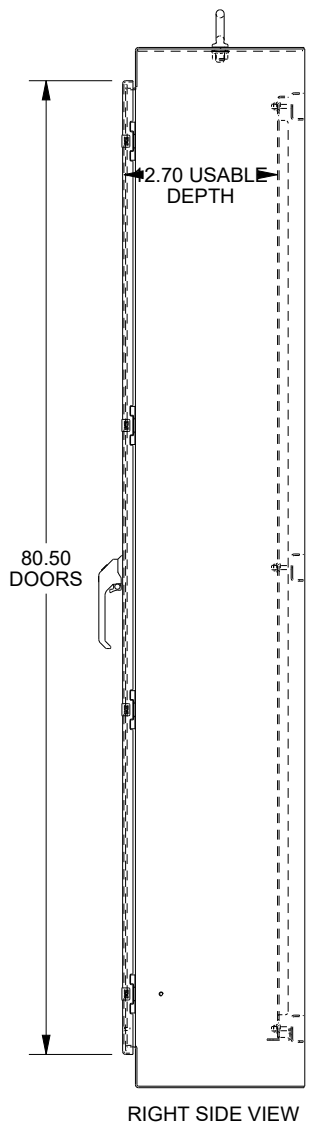
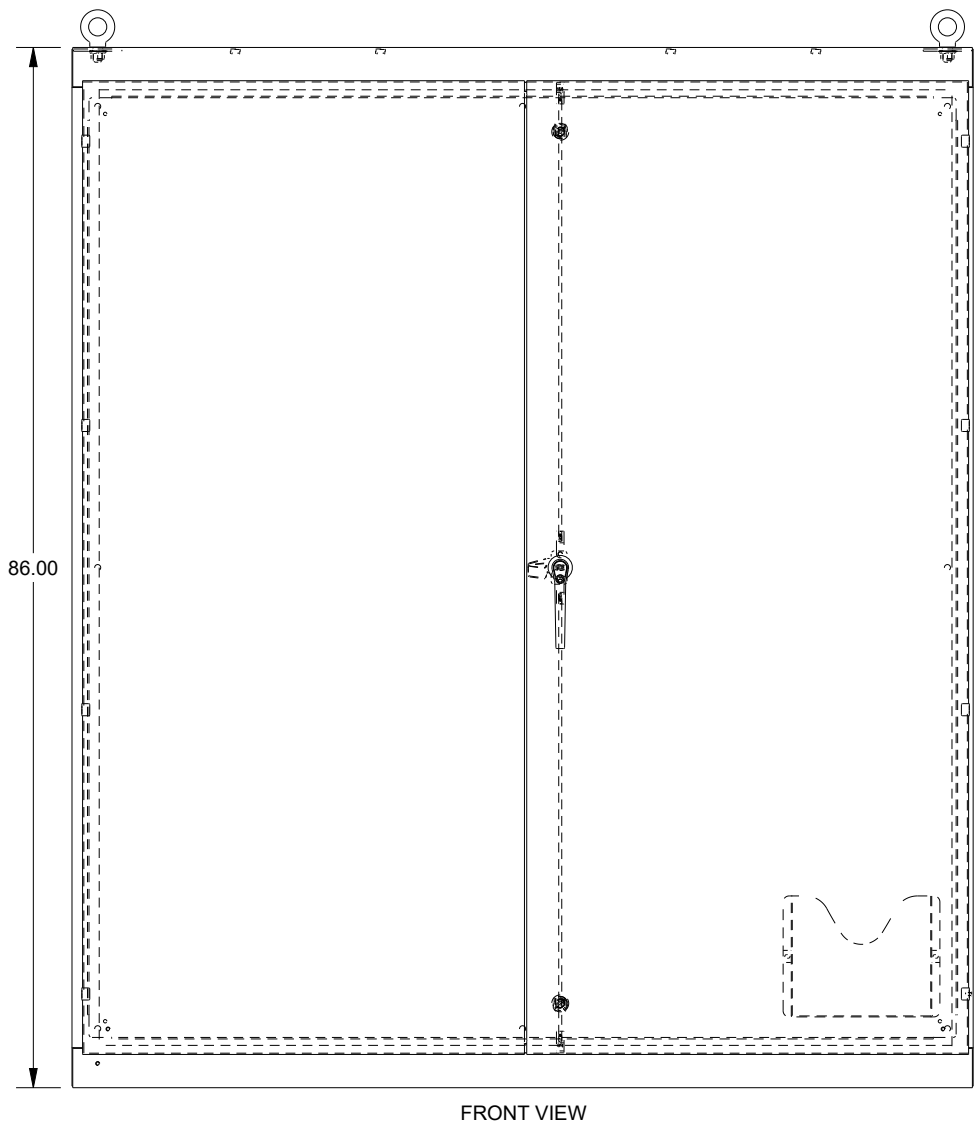
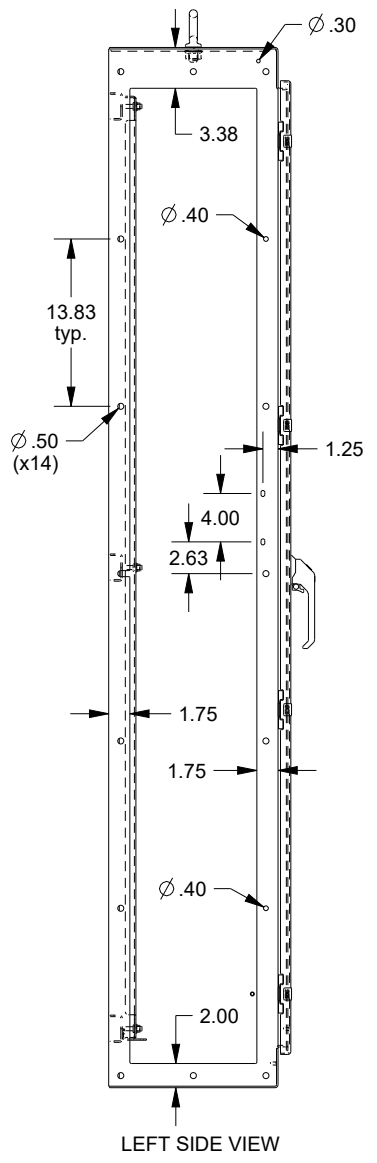
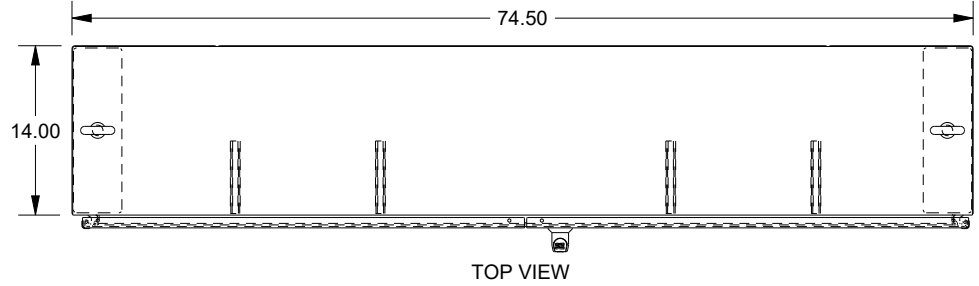


SAGINAW CONTROL & ENGINEERING

SCE-86MR2D14



WASH SYSTEM 2" SQUARE DRAIN HOLES IN THE BOTTOM WITH UL APPROVED HOLE SEALS PROVIDED

